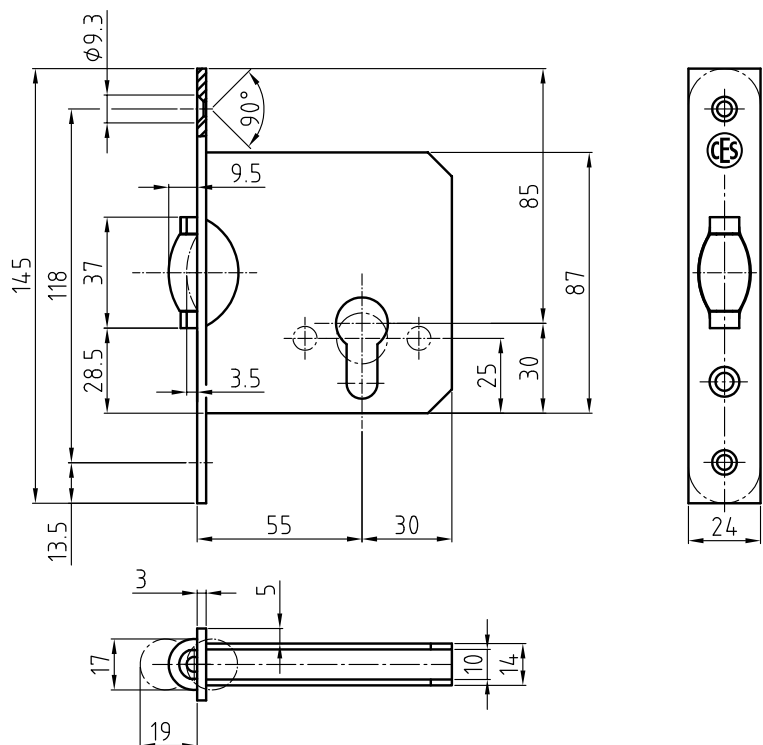


**Swing-door lock with roller-latch
with small lock case
including striking plate**

Type	Description/features
4730	Swing-door lock with roller-latch with small lock case prepared for profile cylinder, backset 55 mm, forend 24 x 145 mm for flush doors, square or radius, satin stainless steel, steel roller-latch, nickel-plated including: 0511 – Striking plate without blind groove
4790	Swing-door lock with roller-latch with small lock case for toilet/bathroom use with 8 mm dead-bolt follower, backset 55 mm, forend 24 x 145 mm for flush doors, square or radius, satin stainless steel, steel roller-latch, nickel-plated including: 0511 – Striking plate without blind groove

Special features	
Forend + striking plate	Stainless steel, polished
	Brass, polished
	Other designs



Art.No. 4730