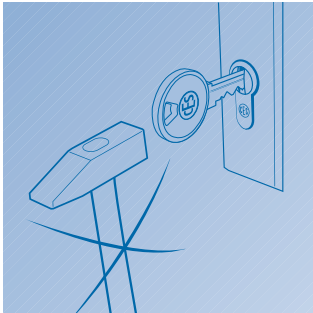
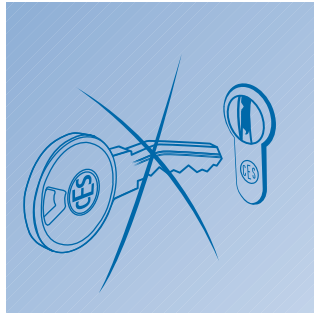




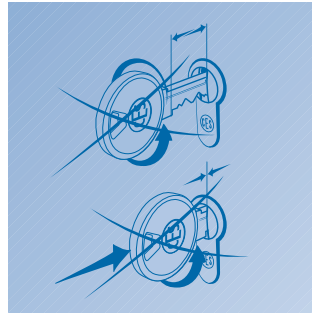
Instructions on use and service



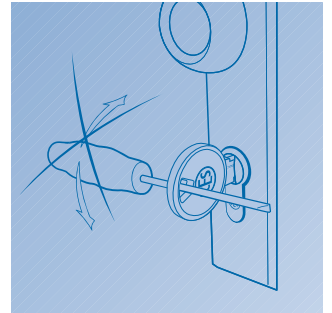
Never force the key into the cylinder



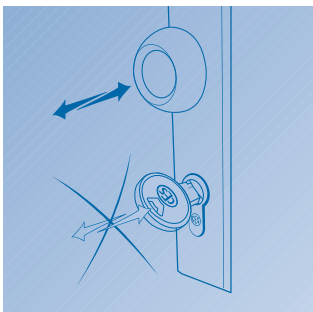
Never use damaged or bent keys



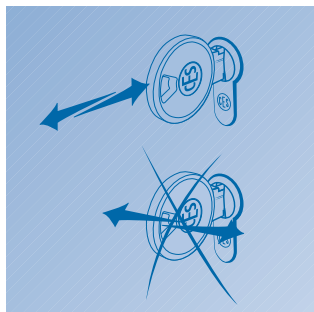
Only rotate the key when it is fully inserted



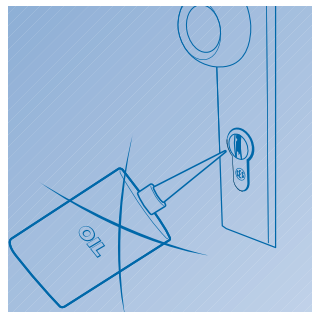
Do not use any aids to increase the torque



Use the handle to open and close the doors.
Do not use the key



Do not expose the key to lateral forces



Never grease the locking cylinder with oil, graphite or resinous agents



Treat the locking cylinder every six months with CES Care Spray